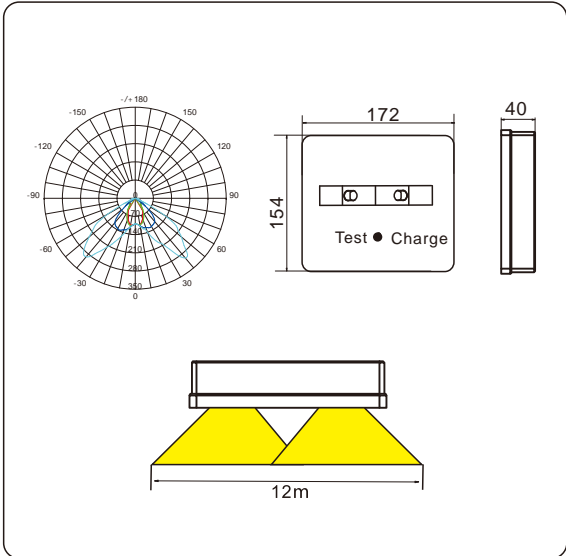




# LED EMERGENCY LIGHT



LCDJ-SH0037



<b>SPECIFICATION/DESCRIPTION:</b> LED Emergency Light : non-maintained working mode, provide battery charge and discharge ,with DALI-2 function or individual auto-test function									
<b>WORKING VOLTAGE:</b> 220-240VAC 50-60Hz	<b>INSTALLATION :</b> Surface mounting								
<b>LENS:</b> Narrow light, lens can't be replaced	<b>OUTPUT VOLTAGE:</b> 12V								
<b>DISCHARGE CURRENT:</b> 850mA	<b>OUTPUT MODE:</b> Constant power								
<b>EMERGENCY POWER:</b> 5.5W	<b>LED CCT:</b> 6000K								
<b>AMBIENT TEMPERATURE TA:</b> 0...45°C	<b>WARRANTY:</b> 3Years								
<b>AUTO TEST FEATURES</b> Performs 20 second functional test every 30days Rated duration test every 52 weeks in accordance with EN 50172:2004 The product will automatically choose one random date from 1-30 days as base date for calculating the rated duration test date. Indication through a bi-colour LED									
<b>STANDARD</b> EN 60598-1, EN 60598-2-22, EN61347-2-7, EN61000-2-3, EN61000-3-3, EN55015, EN61547, IEC TR62778, IEC 62034, IEC 62386 DALI-2 protocol: 101 102 202 104 251 252 253 254 DALI-2 No:6292 (LC-ND001) Certificate:CB,CE,EMC									
<b>LCDJ-SH0037 Series</b>									
Besteil-Nr	Type No	Power	Battery	LM	Duration	Function	Packing	Qty Pcs	Weight Kg
31503140	LCDJ-SH0037	2X3W	6.4V1.5Ah LiFePO4	340	1.5H	Autotest	450X270X240	20Pcs	6Kg
31503141	LCDJ-SH0037	2X3W	6.4V3.0Ah LiFePO4	340	3.0H	Autotest	450X270X240	20Pcs	6Kg
32503140	LCDJ-SH0037-D	2X3W	6.4V1.5Ah LiFePO4	340	1.5H	DALI-2	450X270X240	20Pcs	6Kg
32503141	LCDJ-SH0037-D	2X3W	6.4V3.0Ah LiFePO4	340	3.0H	DALI-2	450X270X240	20Pcs	6Kg