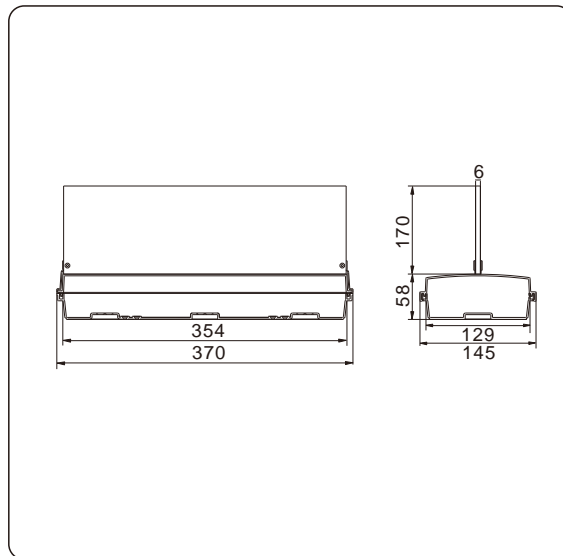




LED EMERGENCY LIGHT



LCDJ-SL0028



SPECIFICATION/DESCRIPTION:

LED Emergency Light : non-maintained working mode, provide battery charge and discharge ,with DALI-2 function or individual auto-test function

WORKING VOLTAGE: 220-240VAC 50-60Hz	INSTALLATION : Recessed/Surface mounting
LENS: 160° lens strip	OUTPUT VOLTAGE: 3V
DISCHARGE CURRENT: 350/560mA	OUTPUT MODE: Constant power
EMERGENCY POWER: 1-2W	LED CCT: 6000K
AMBIENT TEMPERATURE TA: 0...45°C	WARRANTY: 3Years

AUTO TEST FEATURES

Performs 20 second functional test every 30days
 Rated duration test every 52 weeks in accordance with EN 50172:2004
 The product will automatically choose one random date from 1-30 days as base date for calculating the rated duration test date.
 Indication through a bi-colour LED

STANDARD

EN 60598-1, EN 60598-2-22, EN61347-2-7, EN61000-2-3, EN61000-3-3, EN55015, EN61547, IEC TR62778, IEC 62034, IEC 62386
 DALI-2 protocol: 101 102 202 104 251 252 253 254
 DALI-2 No:6292 (LC-ND001)
 Certificate:CE,EMC

LCDJ-SL0028 Series

Besteil-Nr	Type No	Power	Battery	Emergency LM	Function	Packing LxWxH	Qty Pcs	Weight Kg
31303190	LCDJ-SL0028	1W	3.6V1.2Ah Ni-Mh	140	DALI-2	390X310X300	10	11
31303191	LCDJ-SL0028	2W	3.6V2.0Ah Ni-Mh	260	DALI-2	390X310X300	10	11
32303190	LCDJ-SL0028	3W	6.4V1.5Ah LiFePO4	380	Autotest	390X310X300	10	11
32303191	LCDJ-SL0028	6W	6.4V3.0Ah LiFePO4	620	Autotest	390X310X300	10	11