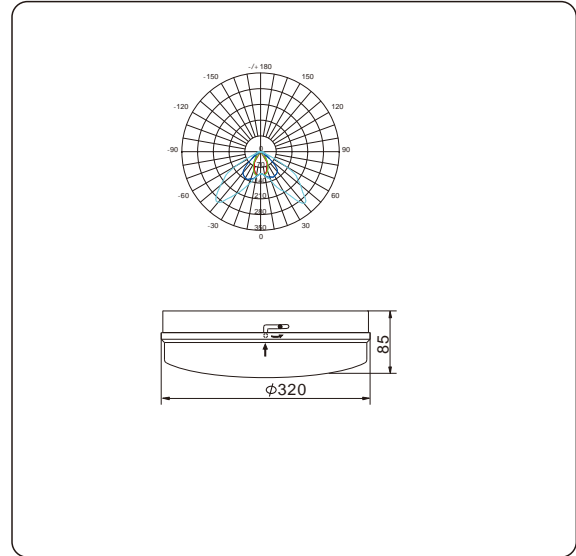




LED EMERGENCY LIGHT



LCDJ-SL0033



SPECIFICATION/DESCRIPTION:

LED Lighting +Emergency driver : normal working mode, provide battery charge and discharge, with DALI-2 function or individual auto test function, sensor and dimming function can be configured

WORKING VOLTAGE:220-240VAC 50-60Hz

INSTALLATION :Surface mounting

LENS: opal lampshade/ transparent prism(selectable)

LM/W:130(nude lamp)

DISCHARGE CURRENT:400-850mA

OUTPUT MODE: Constant power

EMERGENCY POWER:2.5-5.0W

LED CCT:4500/6000K

AMBIENT TEMPERATURE TA: 0...55°C

WARRANTY:3Years

AUTO TEST FEATURES

Performs 20 second functional test every 30days

Rated duration test every 52 weeks in accordance with EN 50172:2004

The product will automatically choose one random date from 1-30 days as base date for calculating the rated duration test date.

Indication through a bi-colour LED

STANDARD

EN 60598-1, EN 60598-2-22, EN61347-2-7, EN61000-2-3, EN61000-3-3, EN55015, EN61547, IEC TR62778, IEC 62034, IEC 62386

DALI-2 protocol: 101 102 202 207 104 251 252 253 254

DALI-2 No:6391 (LC-641260)

Certificate:CE,EMC

LCDJ-SL0033 Series

Besteil-Nr	Type No	Power	LM	Battery	ELT(power)	Function	Packing	Qty	Weight
31300220	LCDJ-SL0033	20W	1800	6.4V1.5Ah LiFePO4	2.5W	Autotest	350X350X330	4Pcs	8.0
31300221	LCDJ-SL0033	30W	2800	6.4V1.5Ah LiFePO4	2.5W	Autotest	350X350X330	4Pcs	8.0
32303220	LCDJ-SL0033-D	20W	1800	6.4V1.5Ah LiFePO4	2.5W	DALI-2	350X350X330	4Pcs	8.0
32303221	LCDJ-SL0033-D	30W	2800	6.4V1.5Ah LiFePO4	2.5W	DALI-2	350X350X330	4Pcs	8.0
32303220	LCDJ-SL0033-D	20W	1800	6.4V3.0Ah LiFePO4	5.0W	DALI-2	350X350X330	4Pcs	8.5
32303221	LCDJ-SL0033-D	30W	2800	6.4V3.0Ah LiFePO4	5.0W	DALI-2	350X350X330	4Pcs	8.5