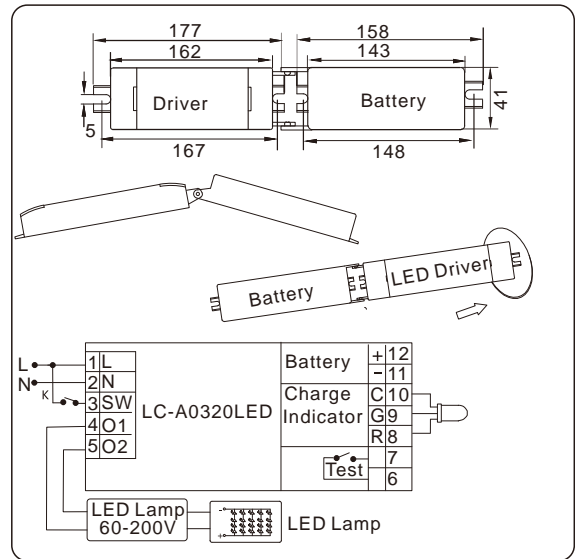
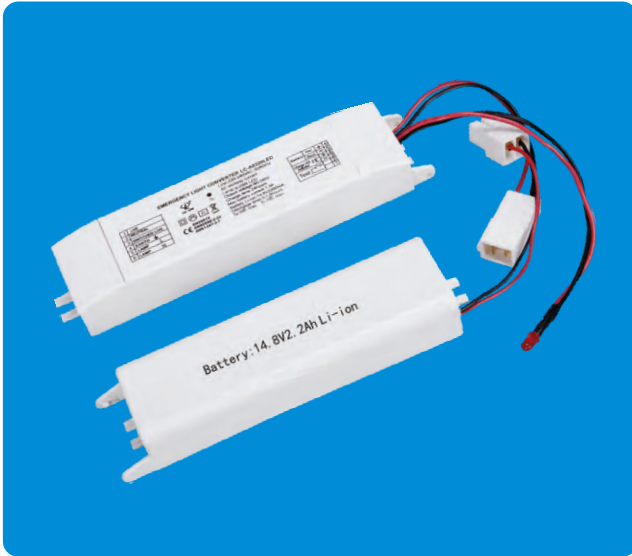


LC-A0320LED



SPECIFICATION/DESCRIPTION:

LED Emergency Converter: non-maintained working mode, suitable for different lights with internal driver, provide battery charge and discharge.

APPLICATION RANGE : .suitable for high voltage output (linear), downlight, T8,T5 lamp tube

WORKING VOLTAGE:220-240VAC 50-60Hz

OUTPUT VOLTAGE:150-200V driver

DISCHARGE CURRENT:550-1900mA

OUTPUT MODE:100%full power output (inverter mode)

AMBIENT TEMPERATURETA: 0...45°C

WARRANTY:3Years

PROTECTION FUNCTION:

- Deep discharge protection
- Short-circuit-proof battery connection
- Open-circuit-proof
- Polarity reversal protection for battery
- Fault indication
- Dual management system for battery

STANDARD

EN 60598-1,EN 60598-2-22,EN60598-2-1,EN61347-1,EN61347-2-7,EN61347-2-13,EN62031,EN62471, EN61000-3-2,EN61000-3-3,EN55015,EN61547,IEC TR62778,

Certificate:CE,EMC

LC-A0320LED

Type No	Input	Lamp	Battery	Power	Duration	Qty	Weight	Packing
20002080	220-240V	T8/Down light	Li-ion 14.8V/2.2AH	8-28W	3.0-1.0H	25pcs	11Kgs	49X25X25CM