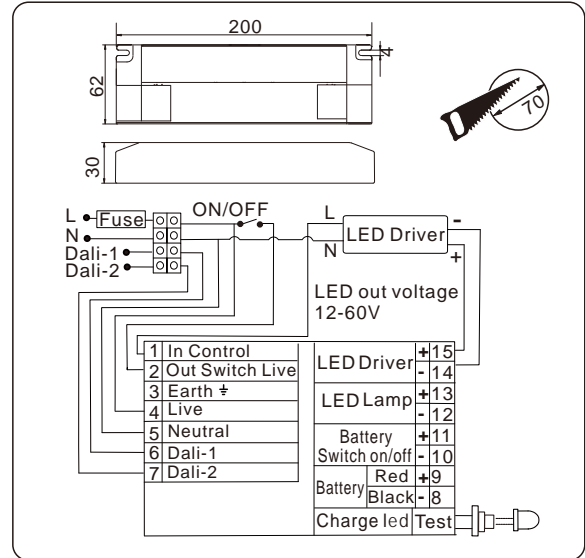


LC-FZ641260LED



SPECIFICATION/DESCRIPTION:

LED Emergency Converter: non-maintained working mode, suitable for different lights, provide battery charge discharge. with DALI-2 control function or individual auto- test function, it works with external LED driver.

APPLICATION RANGE : downlight, tri-proof light, ceiling light, panel light...etc.

WORKING VOLTAGE:220-240VAC 50-60Hz

OUTPUT VOLTAGE:12V1/5LEDs/24V(3/8LEDs)driver

DISCHARGE CURRENT:450-850mA

OUTPUT MODE:Constant power output

AMBIENT TEMPERATURE TA: 0...45°C

WARRANTY:3Years

AUTO TEST FEATURES

Automatic commissioning

Performs 20 second functional test every 30days

Rated duration test every 52 weeks in accordance with EN 50172:2004

The product will automatically choose one random date from 1-30 days as base date for calculating the rated duration test date.

Indication through a bi-colour LED

STANDARD

EN 60598-1, EN 60598-2-22, EN60598-2-1, EN61347-1, EN61347-2-7, EN61347-2-13, EN62031, EN62471, EN61000-3-2, EN61000-3-3, EN55015, EN61547, IEC TR62778, IEC 62034, IEC 62386,

DALI-2 protocol: 101 102 202 104 251 252 253 254

DALI ID No:6391, (LC-641260)

Certificate:CB, CE, EMC

LC-FZ601264LED Series

Type No	Input	DC Output	Battery	Power	Function	Qty	Weight	Packing
21203010	220-240V	12-60V	LiFePO4 6.4V/3.0AH	5.0W	Autotest	25pcs	10Kgs	40X27X24CM
21203011	220-240V	12-60V	LiFePO4 6.4V/1.5AH	2.5W	Autotest	25pcs	8.0Kgs	40X27X24CM
22203010	220-240V	12-60V	LiFePO4 6.4V/3.0AH	5.0W	DALI-2	25pcs	10Kgs	40X27X24CM
22203011	220-240V	12-60V	LiFePO4 6.4V/1.5AH	2.5W	DALI-2	25pcs	8.0Kgs	40X27X24CM
22203012	220-240V	60-200V	LiFePO4 6.4V/3.0AH	5.0W	DALI-2	25pcs	10Kgs	40X27X24CM
22203013	220-240V	60-200V	LiFePO4 6.4V/1.5AH	2.5W	DALI-2	25pcs	8.0Kgs	40X27X24CM
22203014	220-240V	12-60V	LiFePO4 6.4V/3.0AH	5.0W	DALI-2/DIM	25pcs	10Kgs	40X27X24CM
22203015	220-240V	12-60V	LiFePO4 6.4V/1.5AH	2.5W	DALI-2/DIM	25pcs	8.0Kgs	40X27X24CM