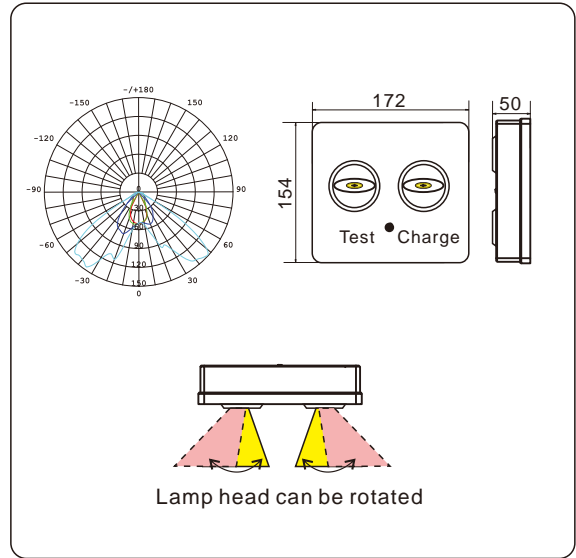




# LED EMERGENCY LIGHT



LCDJ-SI0037



### SPECIFICATION/DESCRIPTION:

LED Emergency Light : non-maintained working mode, provide battery charge and discharge ,with DALI-2 function or individual auto-test function

**WORKING VOLTAGE:**220-240VAC 50-60Hz

**INSTALLATION :**Surface mounting

**LENS:** Narrow light, lamp head can be rotated

**OUTPUT VOLTAGE:**12V

**DISCHARGE CURRENT:**850mA

**OUTPUT MODE:** Constant power

**EMERGENCY POWER:**5.5W

**LED CCT:**6000K

**AMBIENT TEMPERATURE TA:** 0...45°C

**WARRANTY:**3Years

### AUTO TEST FEATURES

Performs 20 second functional test every 30days

Rated duration test every 52 weeks in accordance with EN 50172:2004

The product will automatically choose one random date from 1-30 days as base date for calculating the rated duration test date.

Indication through a bi-colour LED

### STANDARD

EN 60598-1,EN 60598-2-22,EN61347-2-7,EN61000-2-3,EN61000-3-3,EN55015,EN61547,IEC TR62778, IEC 62034,IEC 62386

DALI-2 protocol: 101 102 202 104 251 252 253 254

DALI-2 No:6292 (LC-ND001)

Certificate:CB,CE,EMC

## LCDJ-SI0037

Besteil-Nr	Type No	Power	Battery	LM	Function	Packing LxWxH	Qty Pcs	Weight Kg
31503252	LCDJ-SI0037-B	2X3W	6.4V3.0Ah LiFePO4	420	Autotest	340X330X300	20	8.5
31503253	LCDJ-SI0037-BD	2X3W	6.4V3.0Ah LiFePO4	420	DALI-2	340X330X300	20	8.5